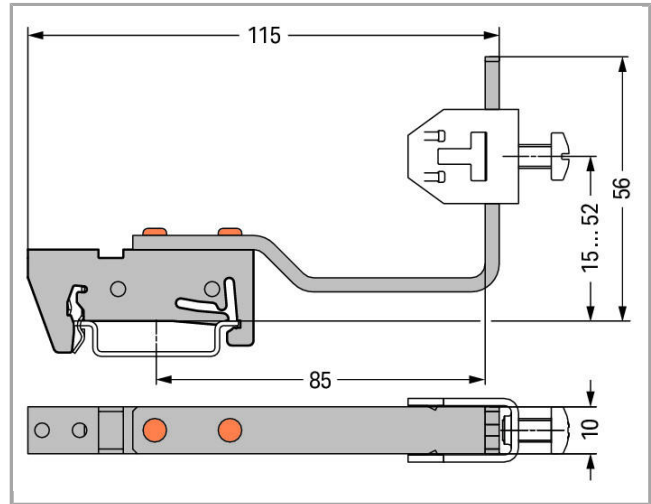
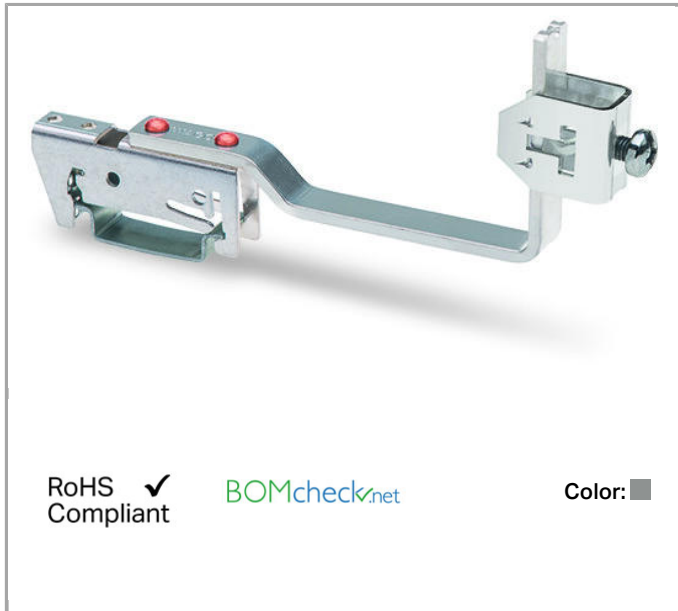


# Data sheet | Item number: 790-360/790-398

Busbar carrier; for busbars Cu 10 mm x 3 mm; flexible; for DIN 35 rail



790-360/790-398



## Data

### Technical Data

Main product function

Shield termination

### Material Data

Weight

60.73 g

### Commercial data

Country of origin

DE

GTIN

4055143363037

Customs Tariff No.

39269097900

### Compatible products

#### N-busbar



Item no.: 210-133

Busbar; tin-plated; 1000 mm long; Cu 10 mm x 3 mm

210-133



Item no.: 790-134

Busbar; tin-plated; 50 mm long; Cu 10 mm x 3 mm

790-134



Downloads

Documentation

Bid Text

790-360/790-398

doc  
24.1 kB

Download

---

CAD/CAE - Smart Data

CAD data

3D Download 790-360/790-398

URL

Download

---

Subject to changes.

---